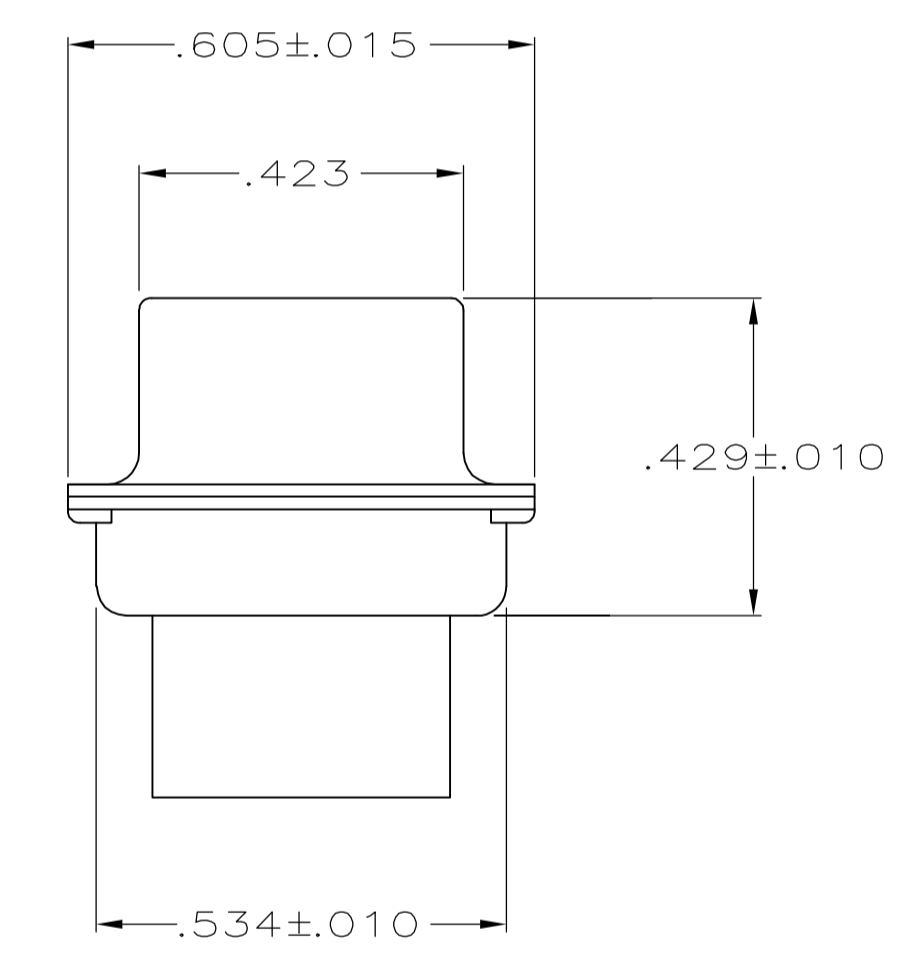
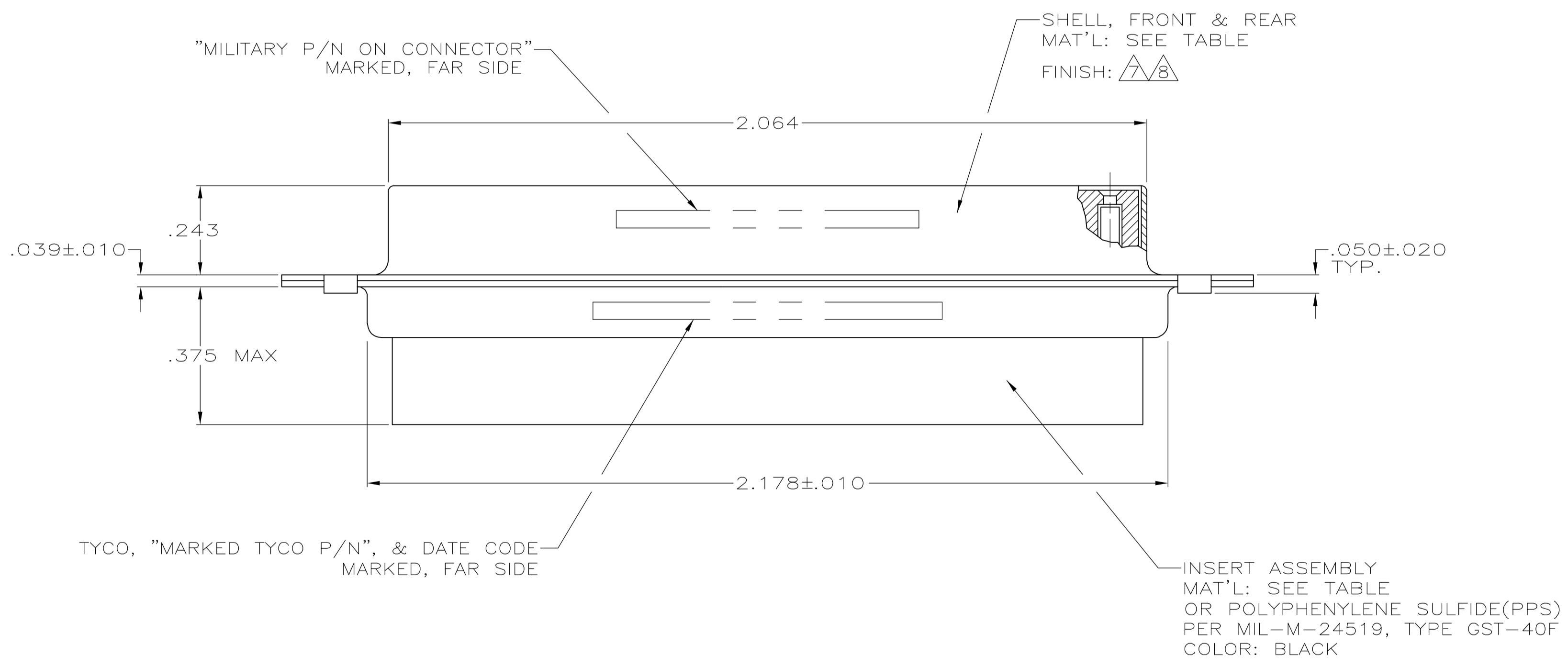
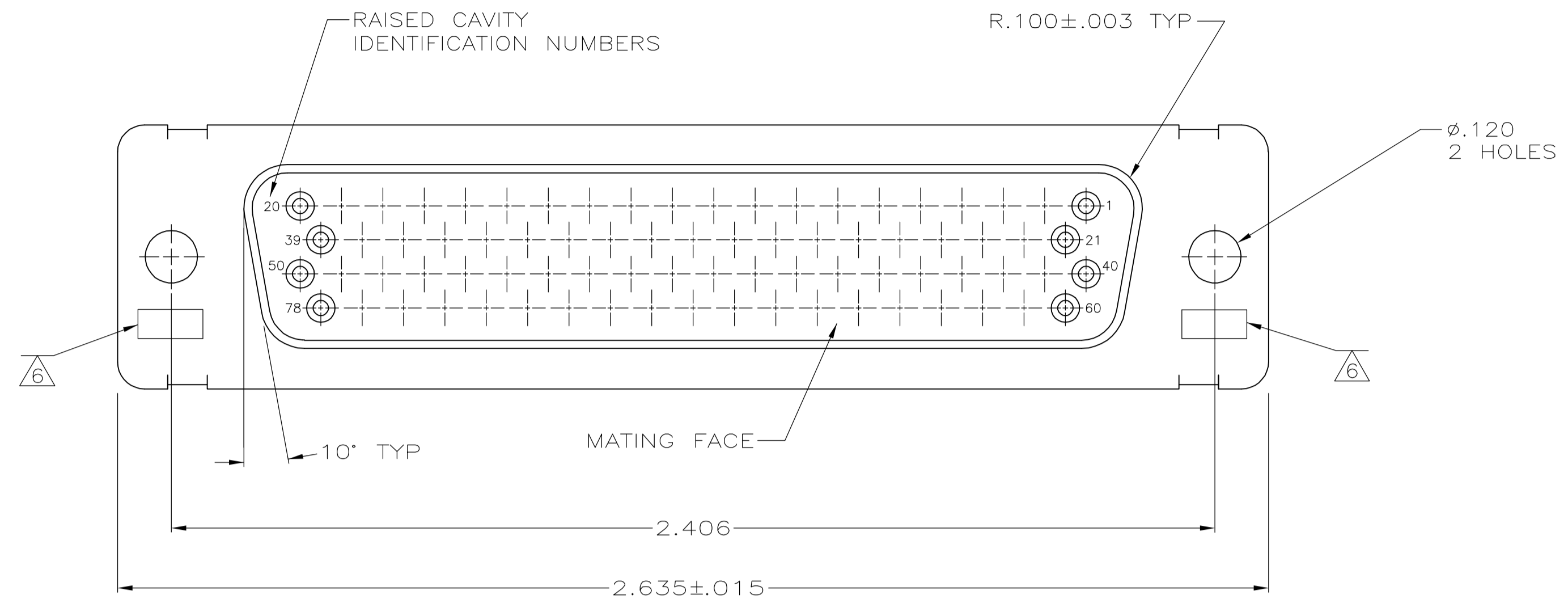


LOC	DIST	REVISIONS				
DF	DO	REV	DESCRIPTION	DATE	BY	APP'D
		R	REV PER ECO-05-002792	05-05	AA	DM

- THIS RCPT. IS DESIGNED TO CONFORM TO THE LATEST ISSUE OF MIL-C-24308.
 - MAX WIRE INSUL TO BE USED WITH THIS RCPT IS .054 DIA.
 - METAL RETENTION CLIPS ARE INCLUDED IN INSERTS.
 - THIS RCPT. WILL ACCEPT SIZE 22 SOCKET CONTACT M39029/57-354 OR ANY TYCO HDD-22 SOCKET CONTACT. CONTACTS ORDERED SEPARATELY.
- ⑤ TYCO PART NO. MARKED ON CONNECTOR REPRESENTS KIT NUMBER WITH CONTACTS.
 - ⑥ UL/CSA DESIGNATION STAMPED IN THIS AREA, OPTIONAL.
 - ⑦ FINISH: CADMIUM PER QQ-P-416.
 - ⑧ FINISH: BRIGHT TIN PER ASTM-B-545 .000400-.000550 THK OVER COPPER PER AMS2418 .000050 MIN THK.



MILITARY P/N ON PACKAGE	MILITARY P/N ON CONNECTOR	TYCO P/N ON CONNECTOR	REMARKS	SHELL FINISH	SHELL MAT'L	INSERT MAT'L	PART NO.
-	-	204508-5	-	⑧	STEEL, CLASS G	POLYPHENYLENE SULFIDE(PPS) PER MIL-M-24519, TYPE GST-40F COLOR: BLACK	204508-5
SUPSD BY 204508-1	-	-	-	-	STEEL, CLASS G	PHENOLIC COLOR: BLACK	204508-3
SUPSD BY 206505-4	-	-	-	-	BRASS	DIALLYL PATHALATE COLOR: BLUE	204508-2
M24308/2-290F	M24308/2-15F	204520-2	⑤	⑦	STEEL, CLASS G	POLYPHENYLENE SULFIDE(PPS) PER MIL-M-24519, TYPE GST-40F COLOR: BLACK	204508-1

THIS DRAWING IS A CONTROLLED DOCUMENT.

DIMENSIONS: INCHES	TOLERANCES UNLESS OTHERWISE SPECIFIED:	DWG: C.C.THOMAS 01-DEC-87	CHK: F.C.BALLEW 25-JAN-88	APVD: F.C.BALLEW 25-JAN-88	NAME: F.C.BALLEW	TYCO Electronics Tyco Electronics Corporation Harrisburg, Pa 17105-3608
0 PLC ± -	1 PLC ± -	2 PLC ± -	3 PLC ± .005	4 PLC ± -	ANGLES ± 0.30'	PRODUCT SPEC: AMPLIMITE RCPT FOR SOCKET CONTACTS HI-DENSITY D CONNECTOR SIZE 5 (78 POSN) SERIES 90
MATERIAL: SEE TABLE	FINISH: SEE CALLOUTS	SIZE: A1	SCALE: 4:1	WEIGHT: -	CAGE CODE: 00779	DRAWING NO: 204508
CUSTOMER DRAWING		SCALE: 4:1		SHEET 1 OF 1		REV R